

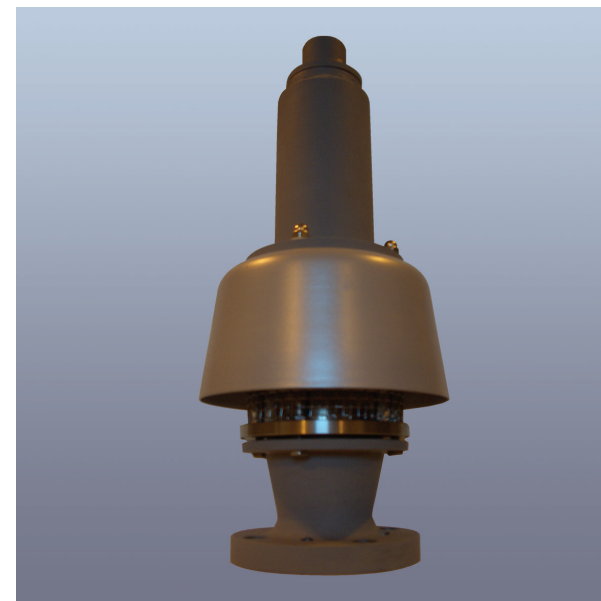
B300s Series spring loaded open vented Pressure Relief Valve

Flow in m³/hr

Size		Set Pressure mbarg					
		70	100	250	500	750	1000
2"(50mm)	OVER PRESS 10%	153	175	283	403	462	525
	20%	236	270	437	624	717	817
	50%	349	399	651	940	1092	1254
3"(80mm)	OVER PRESS 10%	305	462	598	801	933	1075
	20%	470	712	925	1246	1460	1688
	50%	697	1059	1392	1907	2265	2654
4"(100mm)	OVER PRESS 10%	590	737	1060	1469	1831	2066
	20%	909	1137	1643	2293	2876	3262
	50%	1351	1695	2487	3544	4520	5198
6"(150mm)	OVER PRESS 10%	1275	3843	5765	3274	3950	4536
	20%	1970	2541	3703	5186	6311	7293
	50%	2957	3843	5765	8347	10386	12193
8"(200mm)	OVER PRESS 10%	2310	3045	3680	4737	5955	7137
	20%	3581	4736	5799	7570	9601	11576
	50%	5422	7241	9199	12462	16162	19779
10"(250mm)	OVER PRESS 10%	3565	3876	5135	6972	9039	10924
	20%	5542	6051	8143	11221	14671	17829
	50%	8464	9353	13135	18805	25110	30928
12"(300mm)	OVER PRESS 10%	4003	4332	5935	8529	11247	13747
	20%	6236	6781	9447	13779	18320	22507
	50%	9578	10557	15338	23314	31626	39340

The B300 Series ensures that tanks and vessels are kept safe during periods of excessive pressure caused by filling of product and changes in temperature due to climatic or external fire sources.

OPEN VENT



- Open or Closed vent available
- Closed vent can operate as a vacuum relief valve
- Standard Pressure settings + 90 mbarg to 1 barg
- Size range 2" (50 mm) – 12" (300 mm)
- Standard body materials – Carbon steel, Stainless steel
- Standard trim material – Stainless steel
- Diaphragm material - FEP
- Removable seats
- Standard full form flanges – ANSI / DIN
- Lightweight design
- **Non standard applications – Consult factory**



FEATURES

Low cost maintenance

Lightweight design provides easy handling whilst interchangeable components ensure standard parts are easily replaced.

Testing / Quality

All products are factory tested and fully certified.

Self Draining

All products are designed to ensure that condensate drains away from all seating areas.

Low leakage

Standard seating design ensures minimum leakage of less than 1 scfh at 90% of set pressure.

Internal Parts

Internal parts are stainless steel as standard. Non standard materials available upon request.

Connections

All valves are supplied with full form flanges to meet individual requirements. Other connections are available upon request.

Non Standard Applications

There are numerous options available for special applications. Exotic materials such as Hastelloy, Monel and various plastics can be offered to suit the most hazardous of environments. Special coatings can also be applied for extreme service. For low temperature duties, internal parts can be PTFE coated to prevent seizure.

See separate section in catalogue.

* All products are subject to continuous development and subsequently 3B Controls reserves the right to change specifications outlined in this catalogue without notification.

MATERIALS

Body

Aluminium
Carbon Steel
Stainless Steel

Diaphragm

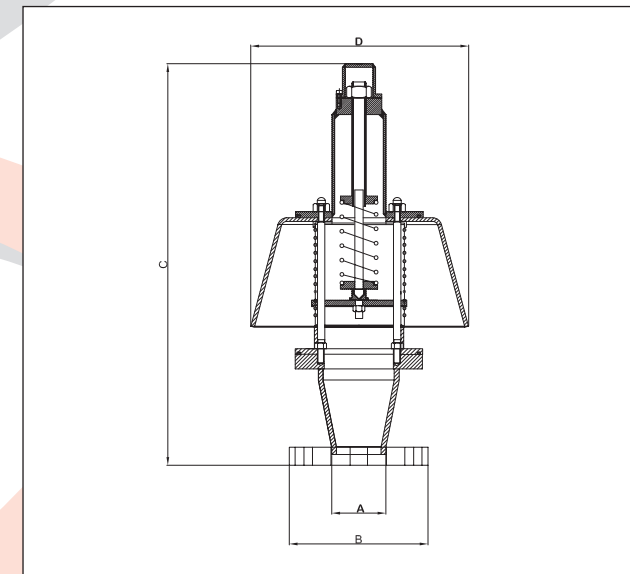
F.E.P
Others consult factory

Internals

Stainless Steel

Flanges

ANSI 125 ANSI 150 RF
DIN Standard flanges



DIMENSIONS

NOM SIZE	A	B	C	D
50 (2")	54	152	453	208
80 (3")	84	190	498	305
100 (4")	108	229	548	380
150 (6")	161	279	603	535
200 (8")	211	343	663	610
250 (10")	255	406	729	680
300 (12")	305	483	802	700

