

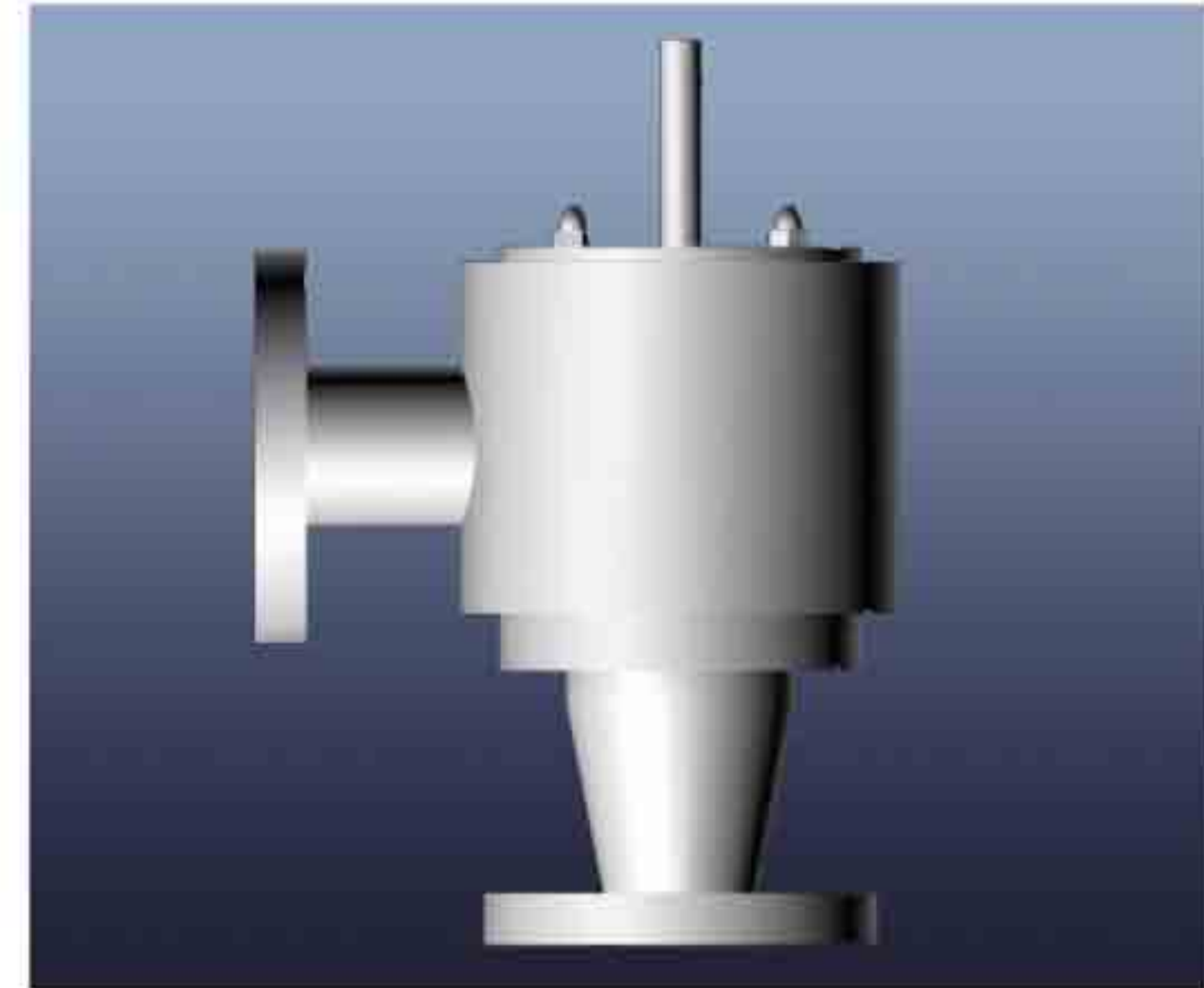
**B300 Series Weight loaded Closed Vent Pressure or Vacuum Relief Valve**

Flow in Nm<sup>3</sup>/hr

Size	Set Pressure mbarg						
	2	5	10	25	50	70	
2" (50mm) OVER PRESS	10%	27	43	61	98	138	163
	20%	36	58	81	129	182	216
	50%	70	111	156	247	350	413
3" (80mm) OVER PRESS	10%	62	98	140	221	312	369
	20%	82	129	183	290	409	484
	50%	157	249	353	557	787	930
4" (100mm) OVER PRESS	10%	111	177	249	390	555	659
	20%	145	230	327	516	725	865
	50%	280	443	627	990	1400	1653
6" (150mm) OVER PRESS	10%	252	396	554	876	1247	1465
	20%	330	521	735	1162	1644	1941
	50%	631	998	1411	2230	3147	3720
8" (200mm) OVER PRESS	10%	445	700	993	1583	2225	2621
	20%	586	925	1308	2066	2927	3453
	50%	1122	1772	2503	3963	5600	6619
10" (250mm) OVER PRESS	10%	697	1103	1560	2462	3481	4123
	20%	915	1446	2045	3231	4565	5397
	50%	1753	2771	3919	6190	8739	10340
12" (300mm) OVER PRESS	10%	1005	1588	2250	3555	5021	5930
	20%	1317	2082	2945	4659	6588	7772
	50%	2525	3990	5646	8912	12590	14893

The B300 Series ensures that tanks and vessels are kept safe during periods of excessive pressure caused by filling of product and changes in temperature due to climatic or external fire sources.

**CLOSED VENT**



- Open or Closed vent available
- Closed vent can operate as a vacuum relief valve
- Standard Pressure settings + 2 mbarg to 100 mbarg
- Size range 2" ( 50 mm ) - 12" ( 300 mm )
- Standard body materials - Aluminium, Carbon steel, Stainless steel
- Standard trim material - Stainless steel
- Diaphragm material - FEP
- Removable seats
- Standard full form flanges - ANSI / DIN
- Lightweight design
- **Non standard applications - Consult factory**



PRESSURE & VACUUM RELIEF VALVES

PRESSURE & VACUUM RELIEF VALVES

## FEATURES

### Low cost maintenance

Lightweight design provides easy handling whilst interchangeable components ensure standard parts are easily replaced.

### Testing / Quality

All products are factory tested and fully certified.

### Self Draining

All products are designed to ensure that condensate drains away from all seating areas.

### Low leakage

Standard seating design ensures minimum leakage of less than 1 scfh at 90% of set pressure.

### Internal Parts

Internal parts are stainless steel as standard. Non standard materials available upon request.

### Connections

All valves are supplied with full form flanges to meet individual requirements. Other connections are available upon request.

### Non Standard Applications

There are numerous options available for special applications. Exotic materials such as Hastelloy, Monel and various plastics can be offered to suit the most hazardous of environments. Special coatings can also be applied for extreme service. For low temperature duties, internal parts can be PTFE coated to prevent seizure.

**See separate section in catalogue.**

\* All products are subject to continuous development and subsequently 3B Controls reserves the right to change specifications outlined in this catalogue without notification.

## MATERIALS

### Body

Aluminium  
Carbon Steel  
Stainless Steel

### Diaphragm

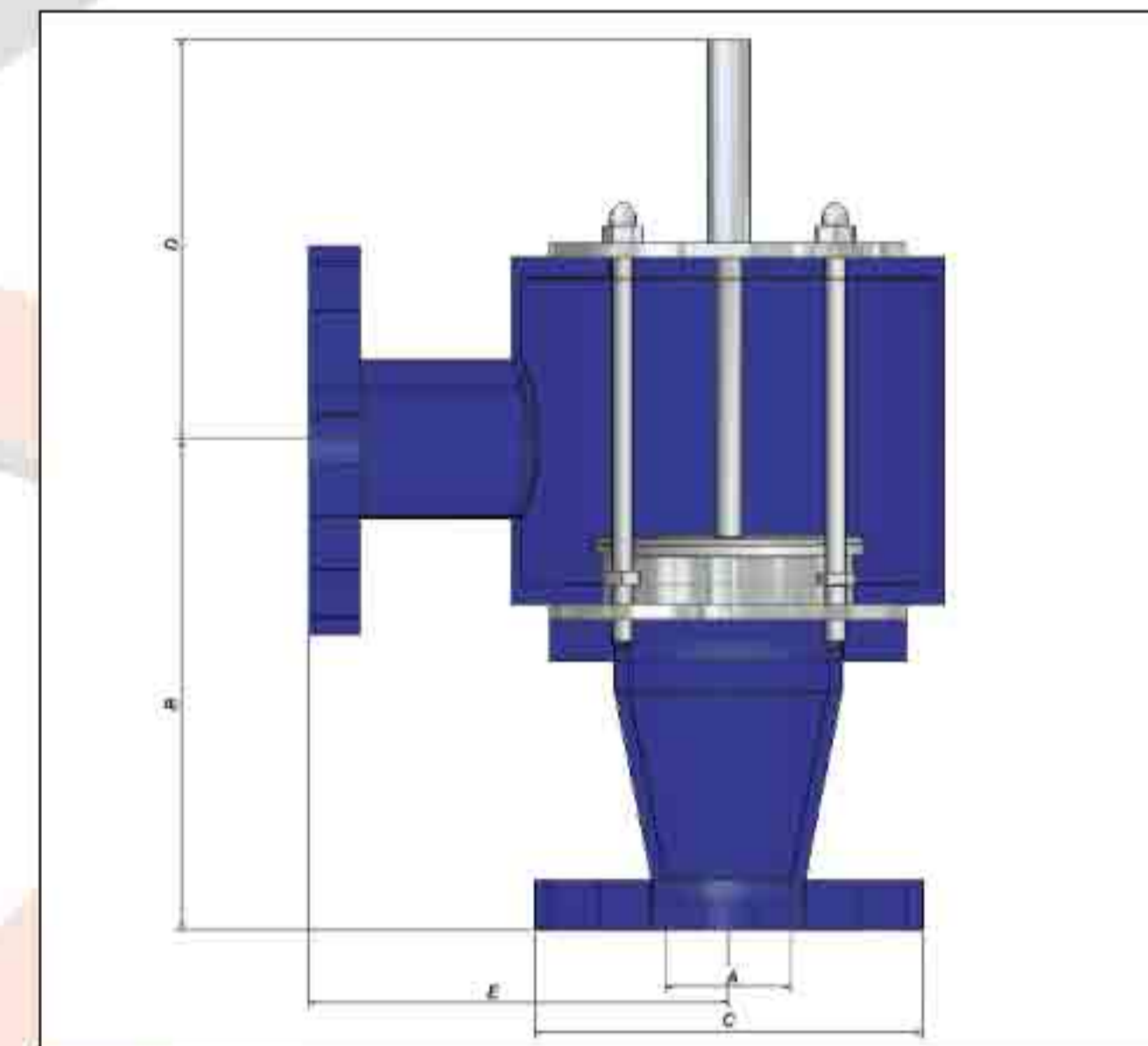
F.E.P  
Others consult factory

### Internals

Stainless Steel

### Flanges

ANSI 125 ANSI 150 RF  
DIN Standard flanges



## DIMENSIONS

NOM SIZE	A	B	C	D	E
50 (2")	54	193	152	167	165
80 (3")	84	222	190	192	190
100 (4")	108	255	229	221	218
150 (6")	161	293	279	254	251
200 (8")	211	337	343	292	289
250 (10")	255	387	406	336	332
300 (12")	305	445	483	386	382

