

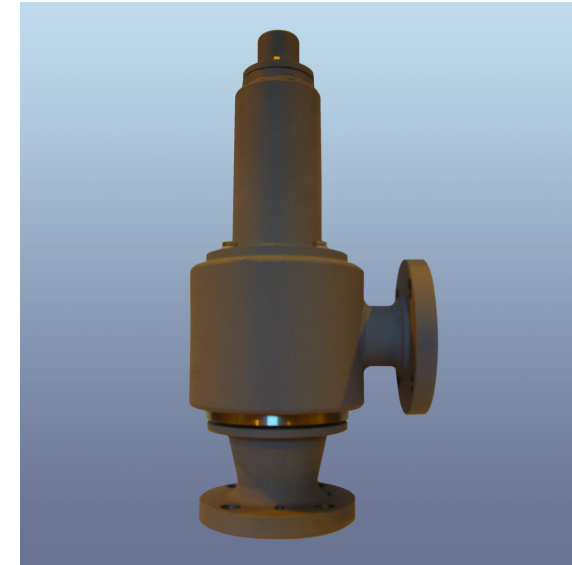
B300s Series spring loaded closed vented Pressure Relief Valve

Flow in m³/hr

Size		Set Pressure mbarg					
		70	100	250	500	750	1000
2"(50mm)	OVER PRESS 10%	112	125	206	269	336	393
	20%	172	193	317	416	522	612
	50%	255	285	473	627	794	941
3"(80mm)	OVER PRESS 10%	254	291	449	619	767	818
	20%	392	448	694	963	1199	1285
	50%	581	666	1044	1474	1862	2020
4"(100mm)	OVER PRESS 10%	433	498	784	1049	1271	1432
	20%	666	768	1216	1638	1997	2261
	50%	990	1145	1840	2531	3139	3603
6"(150mm)	OVER PRESS 10%	1020	1312	1690	2273	2775	3187
	20%	1575	2033	2645	3601	4435	5124
	50%	2365	3074	4118	5796	7298	8567
8"(200mm)	OVER PRESS 10%	1621	1903	2657	3618	4990	5900
	20%	2513	2960	4188	5783	8044	9569
	50%	3805	4525	6643	9519	13541	16351
10"(250mm)	OVER PRESS 10%	2575	3299	4201	5705	7208	8711
	20%	4002	5151	6662	9181	11699	14218
	50%	6113	7963	10747	15386	20025	24664
12"(300mm)	OVER PRESS 10%	3503	3739	4920	6888	8857	10826
	20%	5456	5852	7831	11129	14427	17725
	50%	8381	9110	12756	18830	24905	30980

The B300 Series ensures that tanks and vessels are kept safe during periods of excessive pressure caused by filling of product and changes in temperature due to climatic or external fire sources.

CLOSED VENT



- Open or Closed vent available
- Closed vent can operate as a vacuum relief valve
- Standard Pressure settings + 80 mbarg to 1 barg
- Size range 2" (50 mm) – 12" (300 mm)
- Standard body materials – Carbon steel, Stainless steel
- Standard trim material – Stainless steel
- Diaphragm material - FEP
- Removable seats
- Standard full form flanges – ANSI / DIN
- Lightweight design
- **Non standard applications – Consult factory**



3B CONTROLS

3B CONTROLS



FEATURES

Low cost maintenance

Lightweight design provides easy handling whilst interchangeable components ensure standard parts are easily replaced.

Testing / Quality

All products are factory tested and fully certified.

Self Draining

All products are designed to ensure that condensate drains away from all seating areas.

Low leakage

Standard seating design ensures minimum leakage of less than 1 scfh at 90% of set pressure.

Internal Parts

Internal parts are stainless steel as standard. Non standard materials available upon request.

Connections

All valves are supplied with full form flanges to meet individual requirements. Other connections are available upon request.

Non Standard Applications

There are numerous options available for special applications. Exotic materials such as Hastelloy, Monel and various plastics can be offered to suit the most hazardous of environments. Special coatings can also be applied for extreme service. For low temperature duties, internal parts can be PTFE coated to prevent seizure.

See separate section in catalogue.

* All products are subject to continuous development and subsequently 3B Controls reserves the right to change specifications outlined in this catalogue without notification.

MATERIALS

Body

Carbon Steel
Stainless Steel

Diaphragm

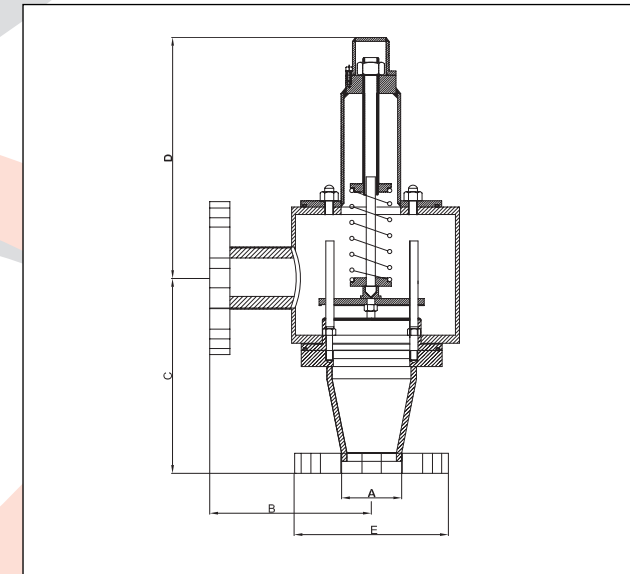
F.E.P
Others consult factory

Internals

Stainless Steel

Flanges

ANSI 125 ANSI 150 RF
DIN Standard flanges



DIMENSIONS

NOM SIZE	A	B	C	D	E
50 (2")	54	140	177	278	152
80 (3")	84	160	222	303	190
100 (4")	108	185	251	352	229
150 (6")	161	251	293	355	279
200 (8")	211	289	337	393	343
250 (10")	255	332	387	490	406
300 (12")	305	382	445	540	483

