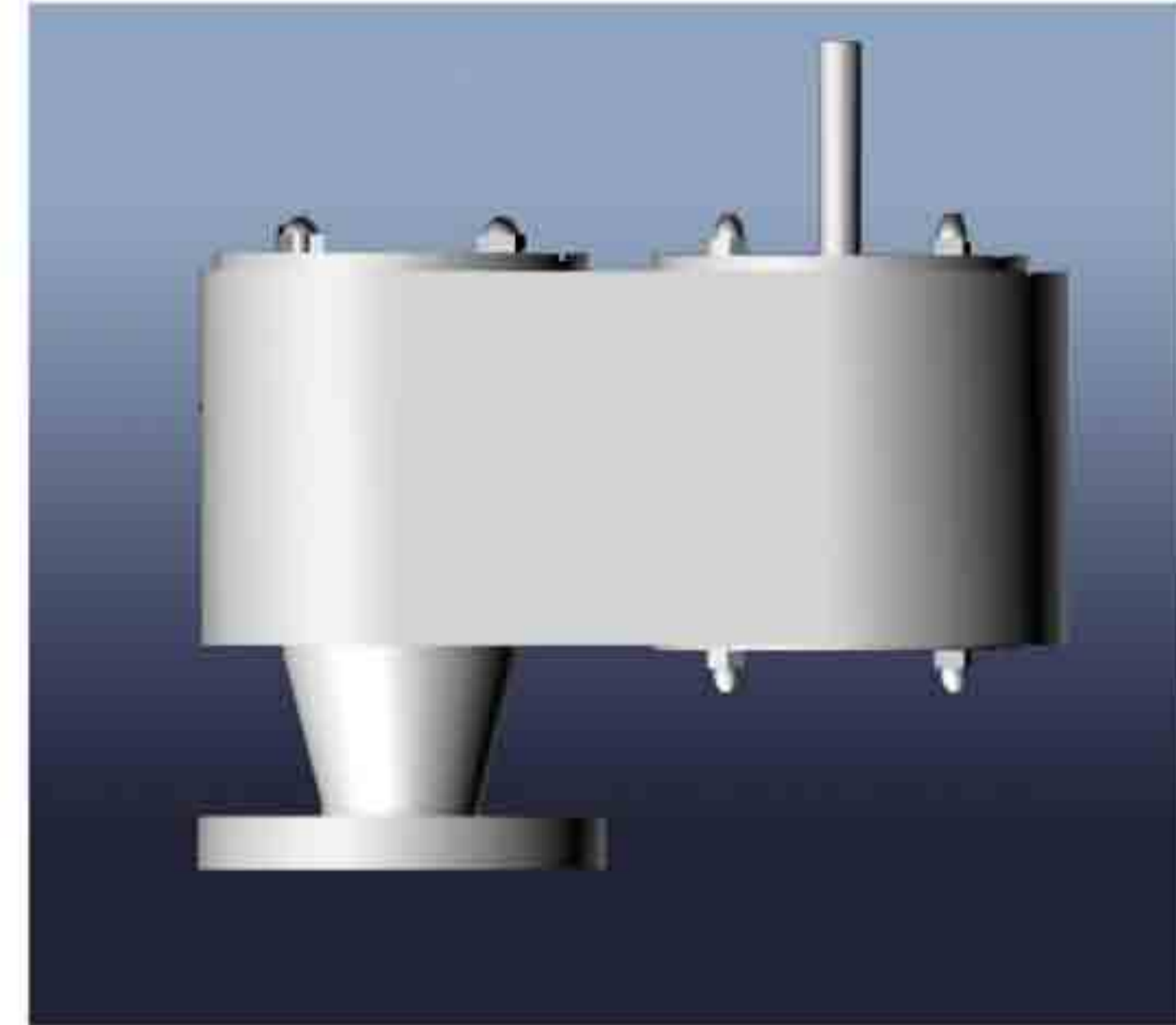


B200 Series Weight loaded Vacuum Relief Valve

The B200 Series ensures that tanks and vessels are kept safe during periods of excessive vacuum caused by emptying of product and changes in temperature due to climatic changes.

Flow in Nm³/hr

Size	Set Vacuum mbarg							
	2	5	10	25	50	60		
2" (50mm)	OVER PRESS	10%	32	50	71	113	159	174
		20%	43	68	96	151	214	234
		50%	73	115	163	258	363	400
3" (80mm)	OVER PRESS	10%	72	113	160	255	355	390
		20%	96	152	215	340	483	527
		50%	163	260	369	578	828	902
4" (100mm)	OVER PRESS	10%	128	200	285	450	630	700
		20%	172	271	385	607	853	940
		50%	293	465	656	1027	1456	1600
6" (150mm)	OVER PRESS	10%	284	452	644	1014	1427	1574
		20%	385	610	865	1360	1927	2114
		50%	657	1085	1457	2300	3300	3615
8" (200mm)	OVER PRESS	10%	509	805	1129	1798	2545	2800
		20%	686	1085	1535	2420	3424	3750
		50%	1173	1856	2617	4156	5786	6410
10" (250mm)	OVER PRESS	10%	800	1255	1389	2780	3925	4293
		20%	1013	1700	2400	3790	5350	5857
		50%	1823	2900	4087	6423	8345	9997
12" (300mm)	OVER PRESS	10%	1155	1780	2667	3987	5749	6200
		20%	1548	2440	3450	5489	7698	8448
		50%	2643	4150	5868	9230	13090	14210



- Standard Vacuum settings - 2 mbarg to - 60 mbarg
- Size range 2" (50 mm) - 12" (300 mm)
- Standard body materials - Aluminium, Carbon steel, Stainless steel
- Standard trim material - Stainless steel
- Diaphragm material - FEP
- Removable seats
- Standard full form flanges - ANSI / DIN
- Lightweight design
- **Non standard applications - Consult factory**



PRESSURE & VACUUM RELIEF VALVES

PRESSURE & VACUUM RELIEF VALVES

FEATURES

Low cost maintenance

Lightweight design provides easy handling whilst interchangeable components ensure standard parts are easily replaced.

Testing / Quality

All products are factory tested and fully certified.

Self Draining

All products are designed to ensure that condensate drains away from all seating areas.

Low leakage

Standard seating design ensures minimum leakage of less than 1 scfh at 90% of set pressure.

Internal Parts

Internal parts are stainless steel as standard. Non standard materials available upon request.

Connections

All valves are supplied with full form flanges to meet individual requirements. Other connections are available upon request.

Non Standard Applications

There are numerous options available for special applications. Exotic materials such as Hastelloy, Monel and various plastics can be offered to suit the most hazardous of environments. Special coatings can also be applied for extreme service. For low temperature duties, internal parts can be PTFE coated to prevent seizure.

See separate section in catalogue.

* All products are subject to continuous development and subsequently 3B Controls reserve the right to change specifications outlined in this catalogue without notification.

MATERIALS

Body

Aluminium
Carbon Steel
Stainless Steel

Diaphragm

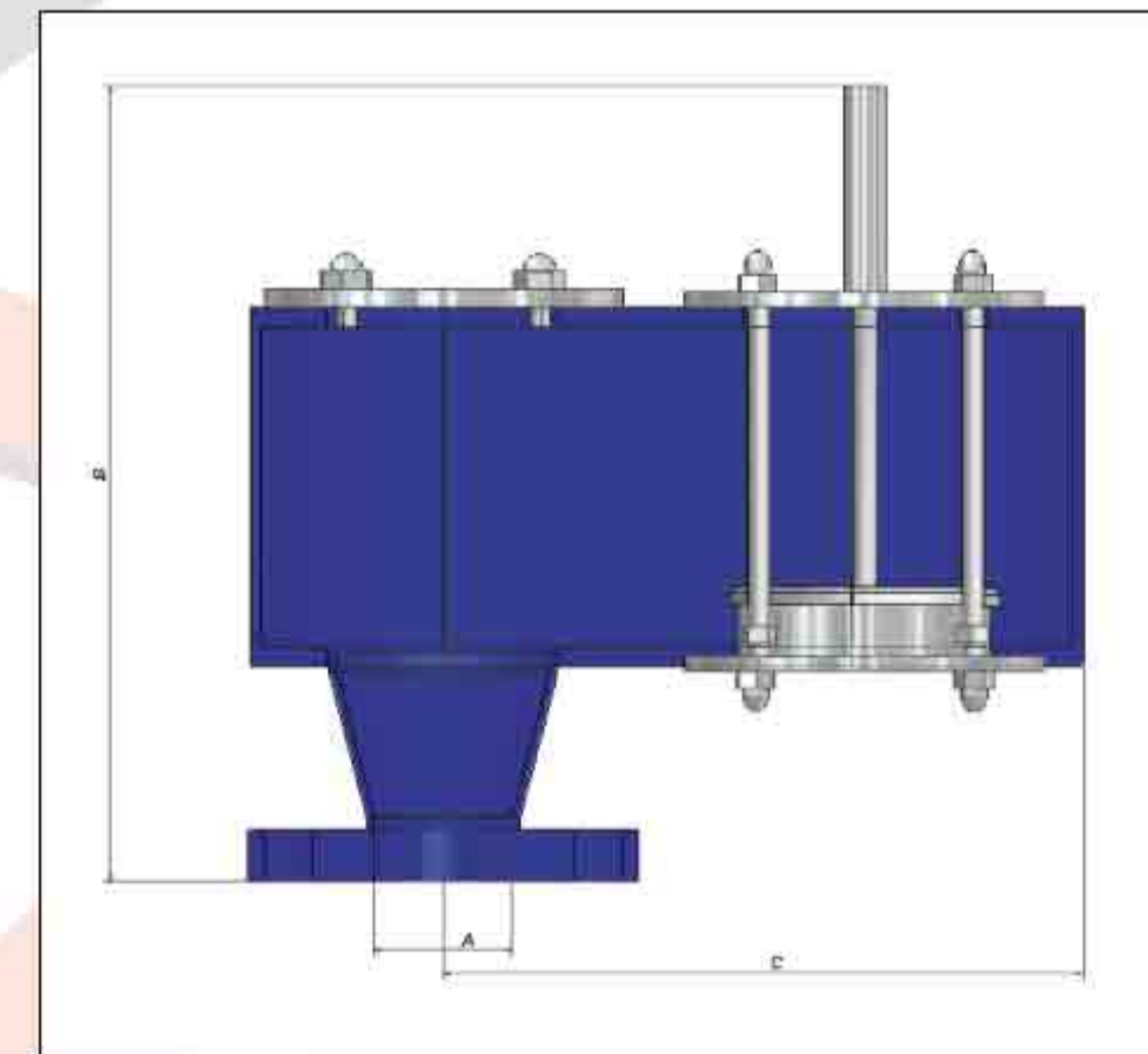
F.E.P.
Others consult factory

Internals

Stainless Steel

Flanges

ANSI 125 ANSI 150 RF
DIN Standard flanges



DIMENSIONS

NOM SIZE	A	B	C
50 (2")	54	310	250
80 (3")	84	341	287
100 (4")	108	375	330
150 (6")	161	412	380
200 (8")	211	454	437
250 (10")	255	499	503
300 (12")	305	549	578

