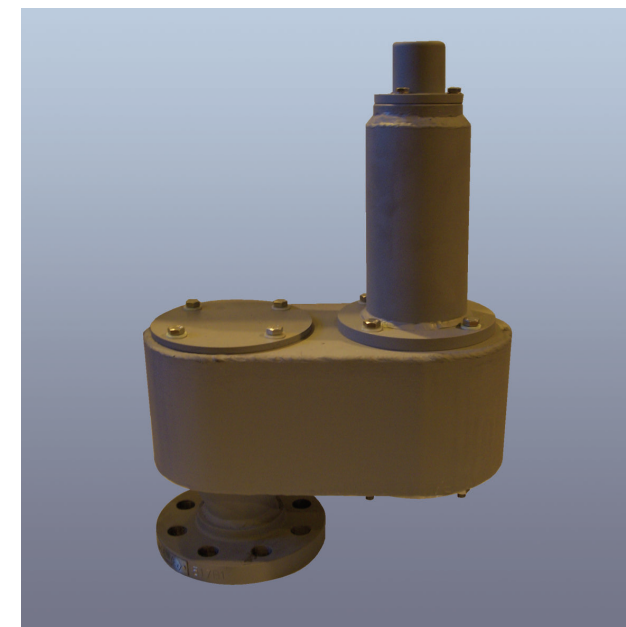


B200s Series Vacuum Relief Valve

Flow in m³/hr

Size	Set Vacuum mbarg						
	70	100	250	350	500	700	
2"(50mm) OVER PRESS	10%	112	113	174	200	242	290
	20%	172	174	268	310	374	450
	50%	331	334	426	491	593	685
3"(80mm) OVER PRESS	10%	198	231	372	433	522	616
	20%	305	356	575	672	812	963
	50%	487	600	940	1096	1285	1585
4"(100mm) OVER PRESS	10%	354	430	648	774	944	1030
	20%	545	664	1005	1203	1424	1617
	50%	892	1031	1611	1884	2278	2542
6"(150mm) OVER PRESS	10%	774	915	1419	1759	2005	2402
	20%	1196	1418	2222	2678	3177	3838
	50%	1996	2352	3624	4375	5216	6315
8"(200mm) OVER PRESS	10%	1386	1599	2668	2975	3434	4201
	20%	2149	2486	4204	4718	5488	6773
	50%	3425	4425	6669	7615	9035	11401
10"(250mm) OVER PRESS	10%	2094	2498	4022	4597	5460	6899
	20%	3256	3900	6377	7341	8787	11198
	50%	5290	6256	10439	12242	14946	19403
12"(300mm) OVER PRESS	10%	3002	4273	5623	6523	7873	10123
	20%	4677	6688	8950	10457	12719	16488
	50%	7663	9110	14578	17355	21521	28463

The B200 Series ensures that tanks and vessels are kept safe during periods of excessive vacuum caused by emptying of product and changes in temperature due to climatic changes.



- Standard Vacuum settings - 80 mbarg to - 0.8 barg
- Size range 2" (50 mm) – 12" (300 mm)
- Standard body materials – Carbon steel, Stainless steel
- Standard trim material – Stainless steel
- Diaphragm material - FEP
- Removable seats
- Standard full form flanges – ANSI / DIN
- Lightweight design
- **Non standard applications – Consult factory**



3B CONTROLS

3B CONTROLS



PRESSURE & VACUUM RELIEF VALVES

PRESSURE & VACUUM RELIEF VALVES

FEATURES

Low cost maintenance

Lightweight design provides easy handling whilst interchangeable components ensure standard parts are easily replaced.

Testing / Quality

All products are factory tested and fully certified.

Self Draining

All products are designed to ensure that condensate drains away from all seating areas.

Low leakage

Standard seating design ensures minimum leakage of less than 1 scfh at 90% of set pressure.

Internal Parts

Internal parts are stainless steel as standard. Non standard materials available upon request.

Connections

All valves are supplied with full form flanges to meet individual requirements. Other connections are available upon request.

Non Standard Applications

There are numerous options available for special applications. Exotic materials such as Hastelloy, Monel and various plastics can be offered to suit the most hazardous of environments. Special coatings can also be applied for extreme service. For low temperature duties, internal parts can be PTFE coated to prevent seizure.

See separate section in catalogue.

* All products are subject to continuous development and subsequently 3B Controls reserve the right to change specifications outlined in this catalogue without notification.

MATERIALS

Body

Carbon Steel
Stainless Steel

Diaphragm

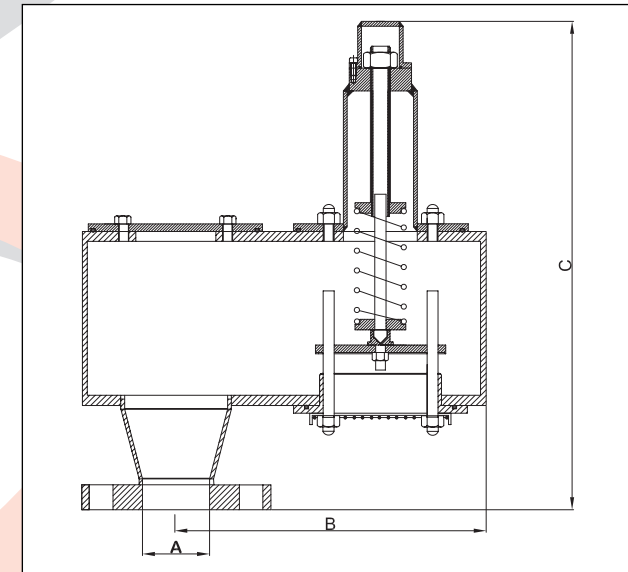
F.E.P
Others consult factory

Internals

Stainless Steel

Flanges

ANSI 125 ANSI 150 RF
DIN Standard flanges



DIMENSIONS

NOM SIZE	A	B	C
50 (2")	54	252	250
80 (3")	84	308	287
100 (4")	108	355	330
150 (6")	161	516	380
200 (8")	211	576	437
250 (10")	255	701	503
300 (12")	305	741	578

