

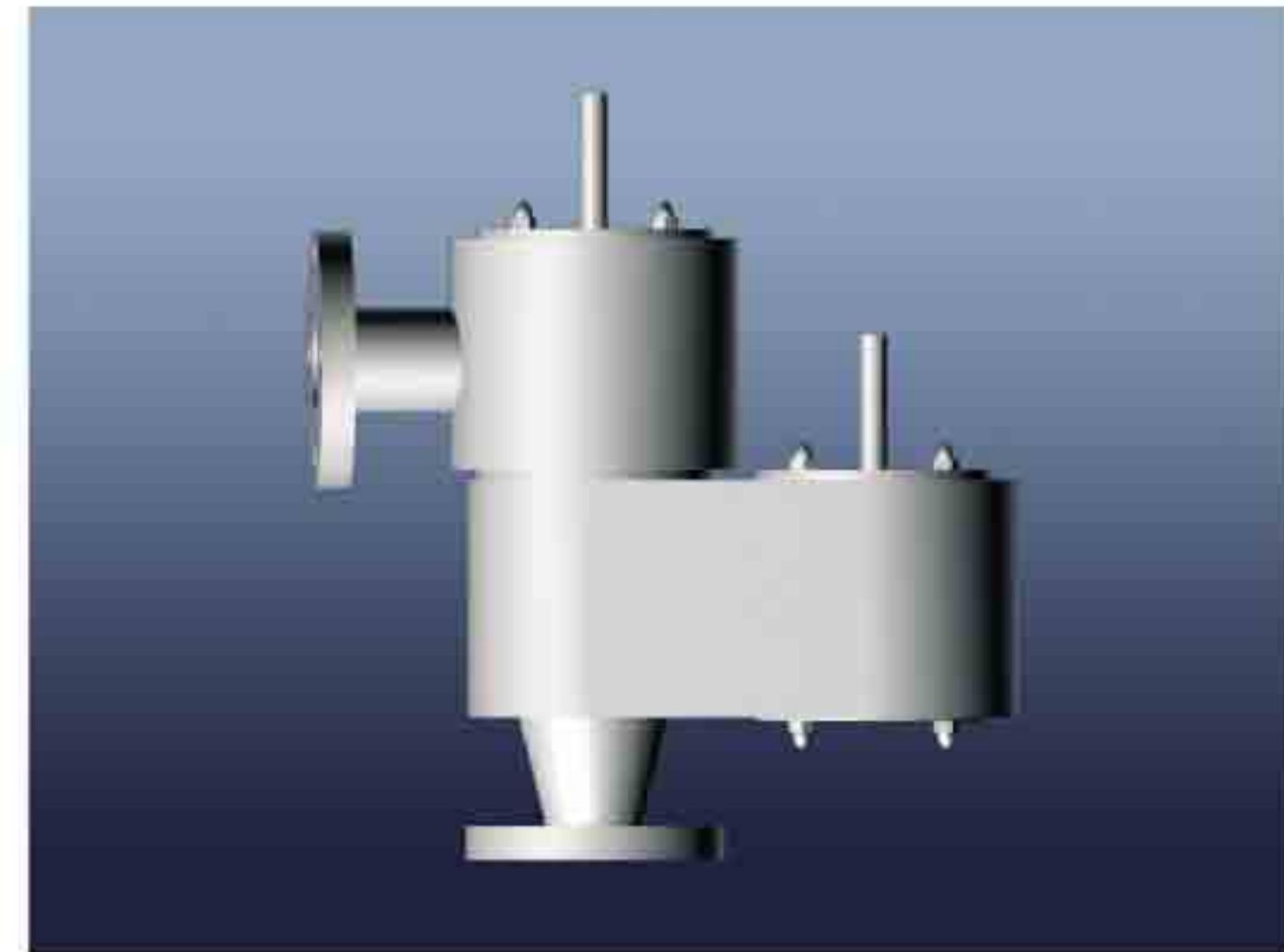
B100 Series Weight loaded Closed vented Pressure & Vacuum Relief Valve

Flow in Nm³/hr

Size		Set Pressure mbarg						Set Vacuum mbarg					
		2	5	10	25	50	70	2	5	10	25	50	70
2" (50mm)	OVER PRESS 10%	30	46	67	105	150	180	32	50	71	113	159	174
	20%	36	57	82	125	184	210	43	68	96	151	214	234
	50%	71	113	155	250	358	410	73	115	163	258	383	400
3" (80mm)	OVER PRESS 10%	68	103	152	243	349	409	72	113	160	255	355	390
	20%	79	131	188	292	411	480	96	152	215	340	483	527
	50%	155	250	352	555	772	930	163	260	369	578	828	902
4" (100mm)	OVER PRESS 10%	120	191	277	427	593	711	128	200	285	450	630	700
	20%	145	232	320	500	724	851	172	271	385	607	853	940
	50%	280	446	623	1006	1400	1647	293	465	656	1027	1456	1600
6" (150mm)	OVER PRESS 10%	277	432	613	949	1352	1649	284	452	644	1014	1427	1574
	20%	321	512	727	1153	1652	1900	385	610	865	1360	1927	2114
	50%	623	1001	1398	2200	3100	3693	657	1085	1457	2300	3300	3615
8" (200mm)	OVER PRESS 10%	470	750	1050	1700	2400	2800	509	805	1129	1798	2545	2800
	20%	580	900	1260	2050	2900	3400	686	1085	1535	2420	3424	3750
	50%	1100	1750	2490	3900	5609	6600	1173	1856	2617	4156	5786	6410
10" (250mm)	OVER PRESS 10%	755	1202	1669	2658	3759	4500	800	1255	1389	2780	3925	4293
	20%	904	1397	2003	3153	4604	5207	1013	1700	2400	3790	5350	5857
	50%	1708	2750	3909	6197	8600	10300	1823	2900	4087	6423	8345	9997
12" (300mm)	OVER PRESS 10%	1048	1702	2453	3801	5403	6298	1155	1780	2667	3987	5749	6200
	20%	1299	2055	2902	4510	6405	7507	1548	2440	3450	5489	7698	8448
	50%	2510	4001	5600	8798	12497	14806	2643	4150	5868	9230	13090	14210

The B100 Series ensures that tanks and vessels are kept safe during periods of excessive pressure and vacuum caused by filling and emptying of product and changes in temperature due to climatic or external fire sources.

CLOSED VENT



- Open or Closed vent available
- Standard Pressure settings + 2 mbarg to 100 mbarg
- Standard Vacuum settings: - 2 mbarg to - 60 mbarg
- Size range 2" (50 mm) - 12" (300 mm)
- Standard body materials - Aluminium, Carbon steel, Stainless steel
- Standard trim material - Stainless steel
- Diaphragm material - FEP
- Removable seats
- Standard full form flanges - ANSI / DIN
- Lightweight design
- **Non standard applications - Consult factory**



3B CONTROLS

3B CONTROLS



PRESSURE & VACUUM RELIEF VALVES

PRESSURE & VACUUM RELIEF VALVES

FEATURES

Low cost maintenance

Lightweight design provides easy handling whilst interchangeable components ensure standard parts are easily replaced.

Testing / Quality

All products are factory tested and fully certified.

Self Draining

All products are designed so that any condensate drains away from all seating areas.

Low leakage

Standard seating design ensures minimum leakage of less than 1 scfh at 90% of set pressure.

Internal Parts

Internal parts are stainless steel as standard. Non standard materials available upon request.

Connections

All valves are supplied with full form flanges to meet individual requirements. Other connections are available upon request.

Non Standard Applications

There are numerous options available for special applications. Exotic materials such as Hastelloy, Monel and various plastics can be offered to suit the most hazardous of environments. Special coatings can be applied for extreme service. For low temperature duties, internal parts can be PTFE coated to prevent seizure.

See separate section in catalogue.

* All products are subject to continuous development and subsequently 3B Controls reserve the right to change specifications outlined in this catalogue without notification.

MATERIALS

Body

Aluminium
Carbon Steel
Stainless Steel

Diaphragm

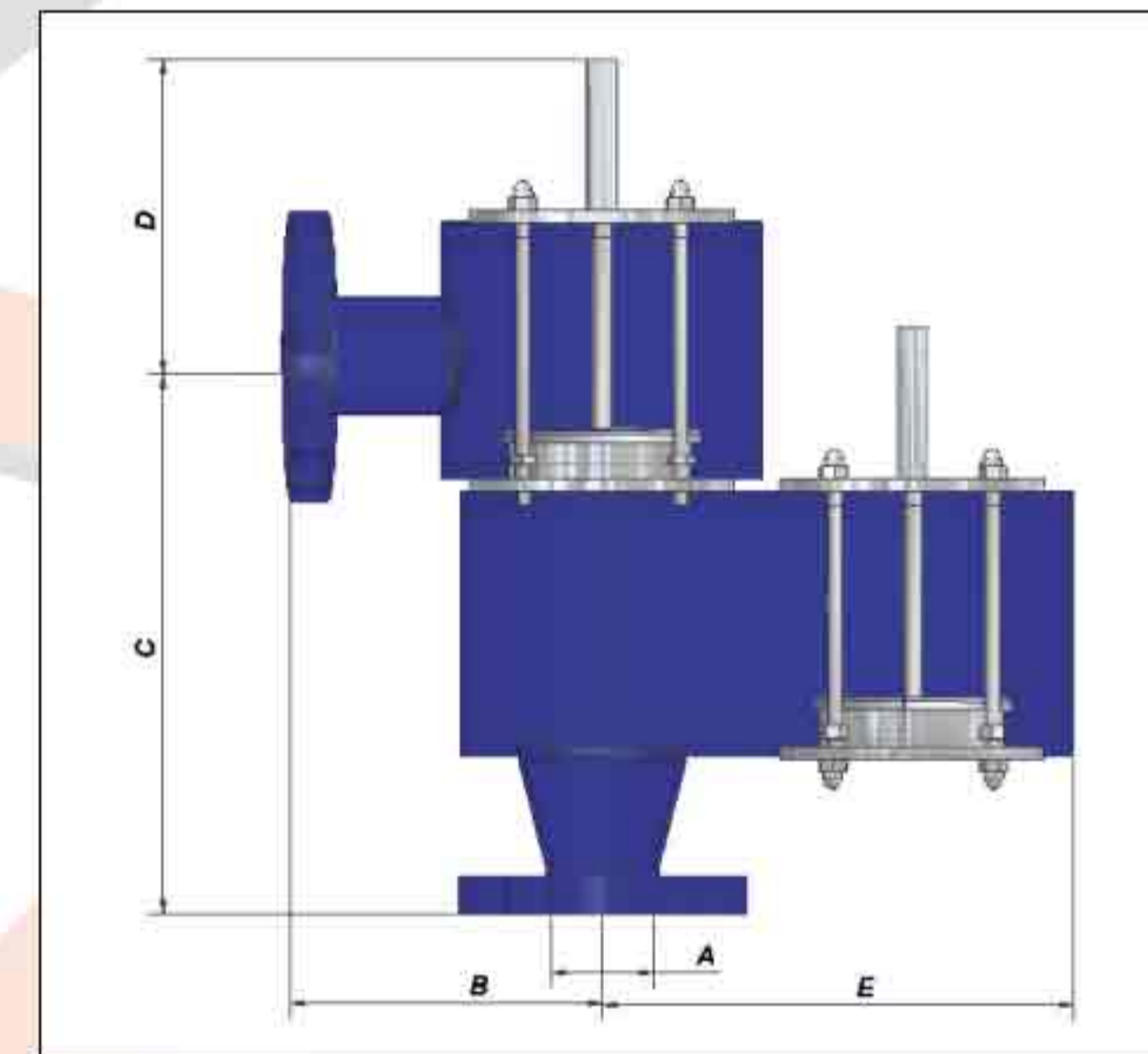
F.E.P
Others consult factory

Internals

Stainless Steel

Flanges

ANSI 125 ANSI 150 RF
DIN Standard flanges



DIMENSIONS

NOM SIZE	A	B	C	D	E
50 (2")	54	165	285	167	250
80 (3")	84	190	328	192	287
100 (4")	108	218	410	221	330
150 (6")	161	251	471	254	380
200 (8")	211	289	542	292	437
250 (10")	255	332	623	336	503
300 (12")	305	382	716	386	578

